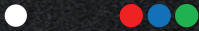


MINI 3

Ideal solution for extremely narrow segments of illuminated signs and small channel letters. Also great choice for elements of complex shape. Cost-effective solution with enhanced brightness for channel letters and light boxes with a depth of 40 - 70 mm.

Various color solutions available 6500K

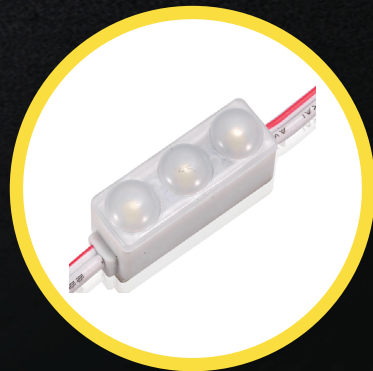


Specially designed for:

- Narrow segments of illuminated signs
- Elements of complex shape
- Recommended installation depth 40 - 70 mm

Features:

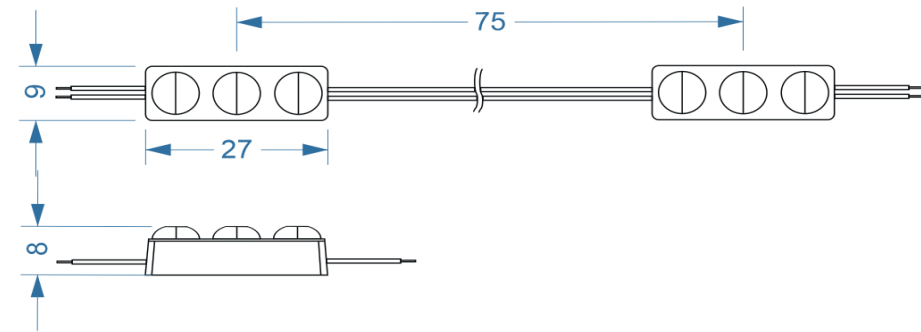
- Small dimensions - only 27 mm x 9 mm x 8 mm - fits into very thin and narrow channel letters
- For 70 mm depth the distance between centers of modules is 75 mm
- Maximum Tj temperature <80 °C
- LM80 international certificate for LEDs
- HB fire protection level
- Protection level of IP66
- Light decay < 30% after 45,000 hrs
- 5 years warranty



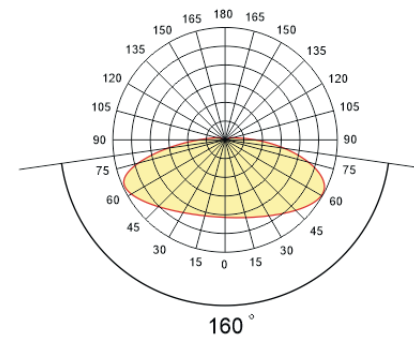
www.kaisenelectric.com



Dimensions



Light distribution graph



Beam angle: 160°

Technical information

Colors available:	●	●	●	○
Power	0,4 W	0,4 W	0,4 W	0,4 W
Light output	11 lm	10 lm	33 lm	50 lm
LED type	2835			
Input	12VDC			
Color temperature	6500 K			
Beam angle	160°			
Protection level	IP 66			
Working temperature	-30 +50 °C			

Packing information

Packing type	Chain	Package	Box
Quantity	50 pcs	200 pcs	6000 pcs
Weight	0,16 kg	0,6kg	18,9kg

Illumination table

Installation depth	Illuminance	Distance between centers	Quantity per 1 sq m	Power per 1 sq m
40 mm	6070 lux	60 mm	289 pcs	116 W
50 mm	4800 lux	75 mm	169 pcs	68 W
60 mm	4650 lux	75 mm	169 pcs	68 W
70 mm	4500 lux	75 mm	169 pcs	68 W

